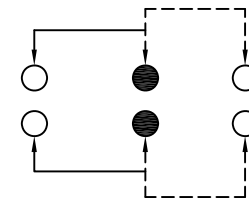
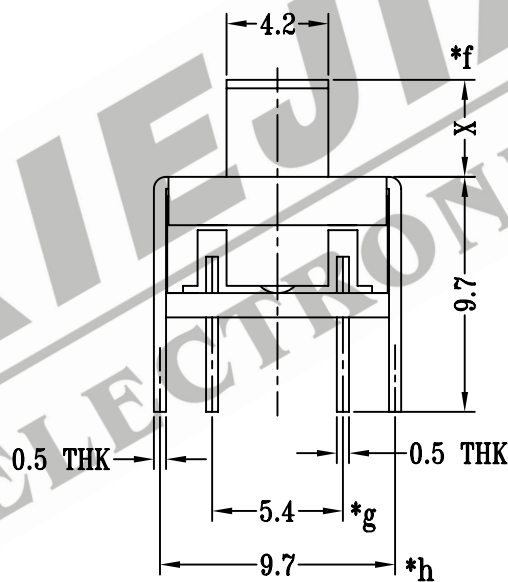
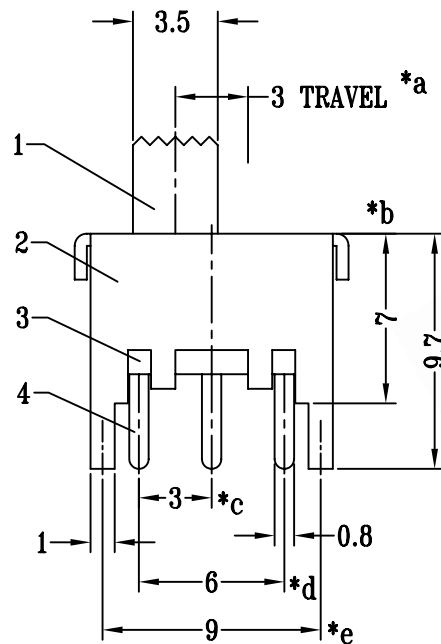
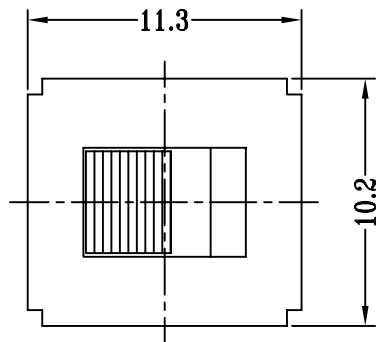
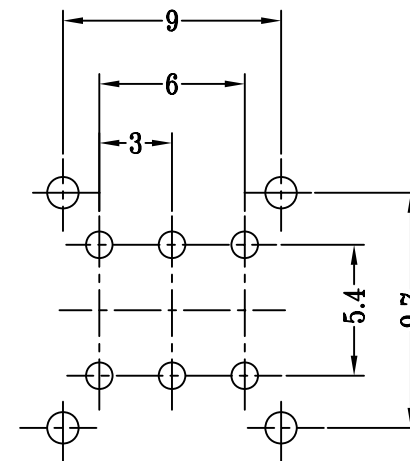


CAD FILE:



SCHEMATIC (NON-SHORTING)



P.C.B LAYOUT

注:带"\*"表示关键尺寸(8个)

8					TOLERANCE	SHENZHEN XIEJIA ELECTRONICS CO.,LTD.				
7	STEEL BALL	STEEL	1	NATURAL	UNLESS SPECIFIED					
6	SPRING	STEEL WIRE	1	TEMPER	WITHIN: 1.5±0.1mm					
5	CONTACT CLIP	PBS STRIP	2	Ag PLATED	OVER : 1.5±0.2mm	ISSUE	DATE	DESCRIPTIONS		APPD.
4	TERMINAL	BRASS STRIP	6	Ag PLATED OVER Ni PLATED	TITLE : VERTICAL SLIDE SWITCH		UNIT : MM	DRWG NO.: XJ-DR-SS22F05-00		
3	BASE	PHENOLIC RESIN	1	NATURAL	MODEL: SS-22F05		SCALE: 3:1	DWN.	ZHOUYU	2002-12-10
2	FRAME	STEEL STRIP	1	Ni PLATED	ALL MATERIALS MUST BE COMPLIANT TO ROHS			CHK'D	FANGYING	2002-12-10
1	KNOB	POM	1	BLACK			APPD.	KANGXINAN	2002-12-10	
NO.	PART NAME	MATERIAL	Q'TY	FINISHING						